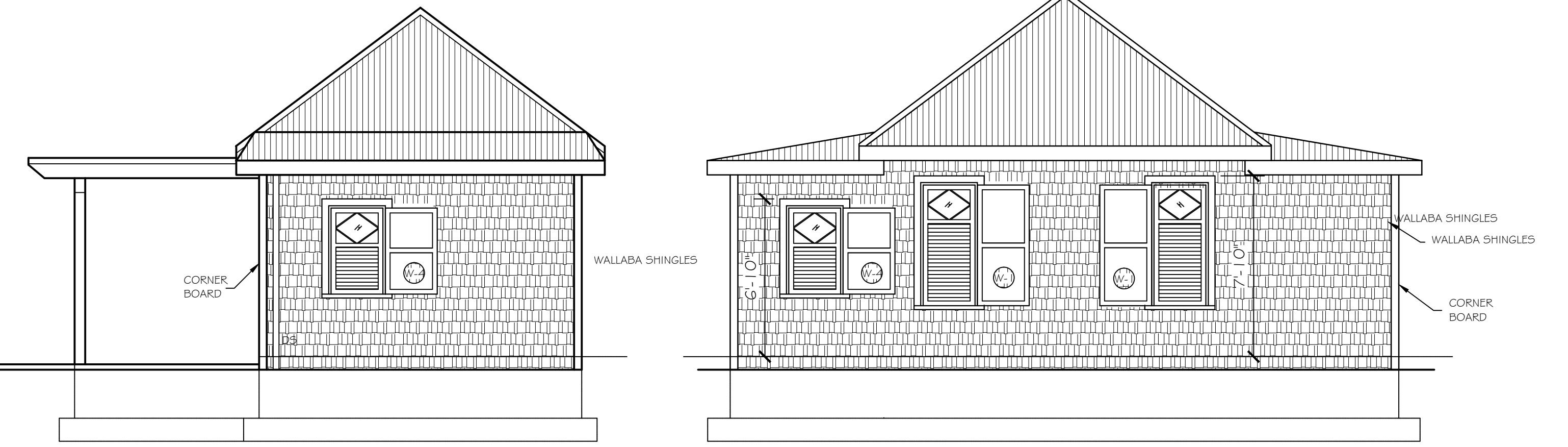


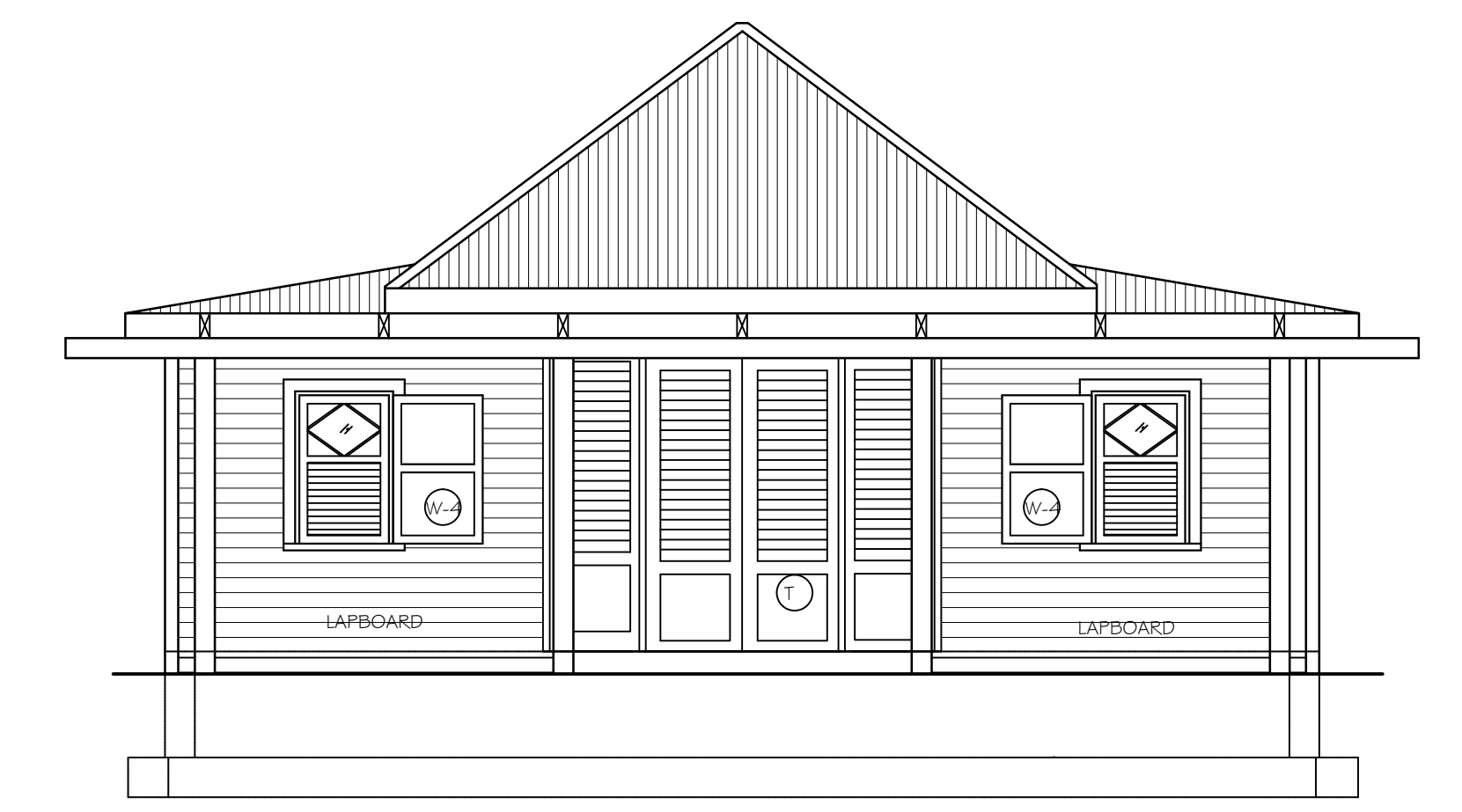
ELEVATION A
1/4" = 1'-0"



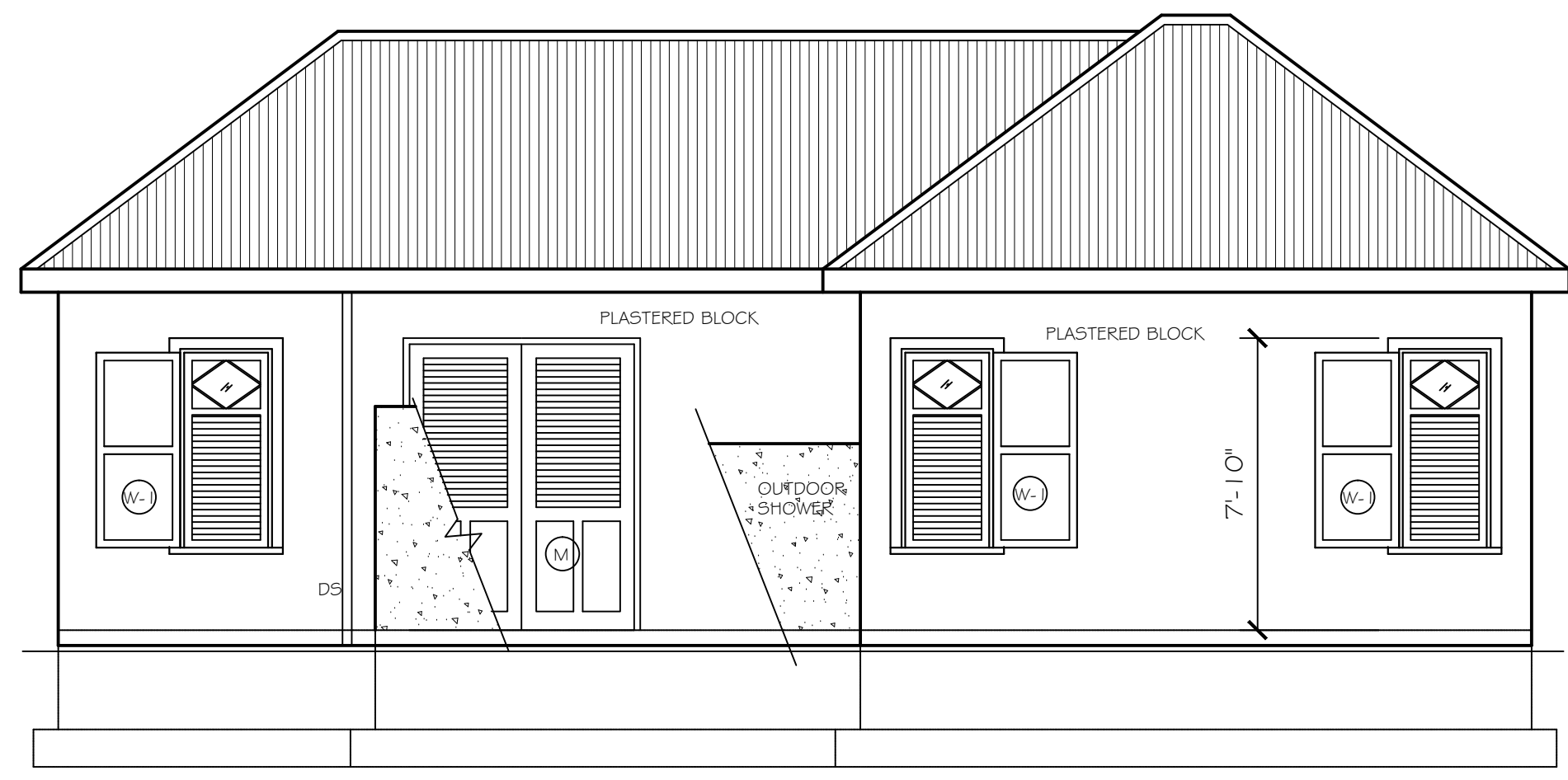
ELEVATION C
1/4" = 1'-0"



ELEVATION B
1/4" = 1'-0"



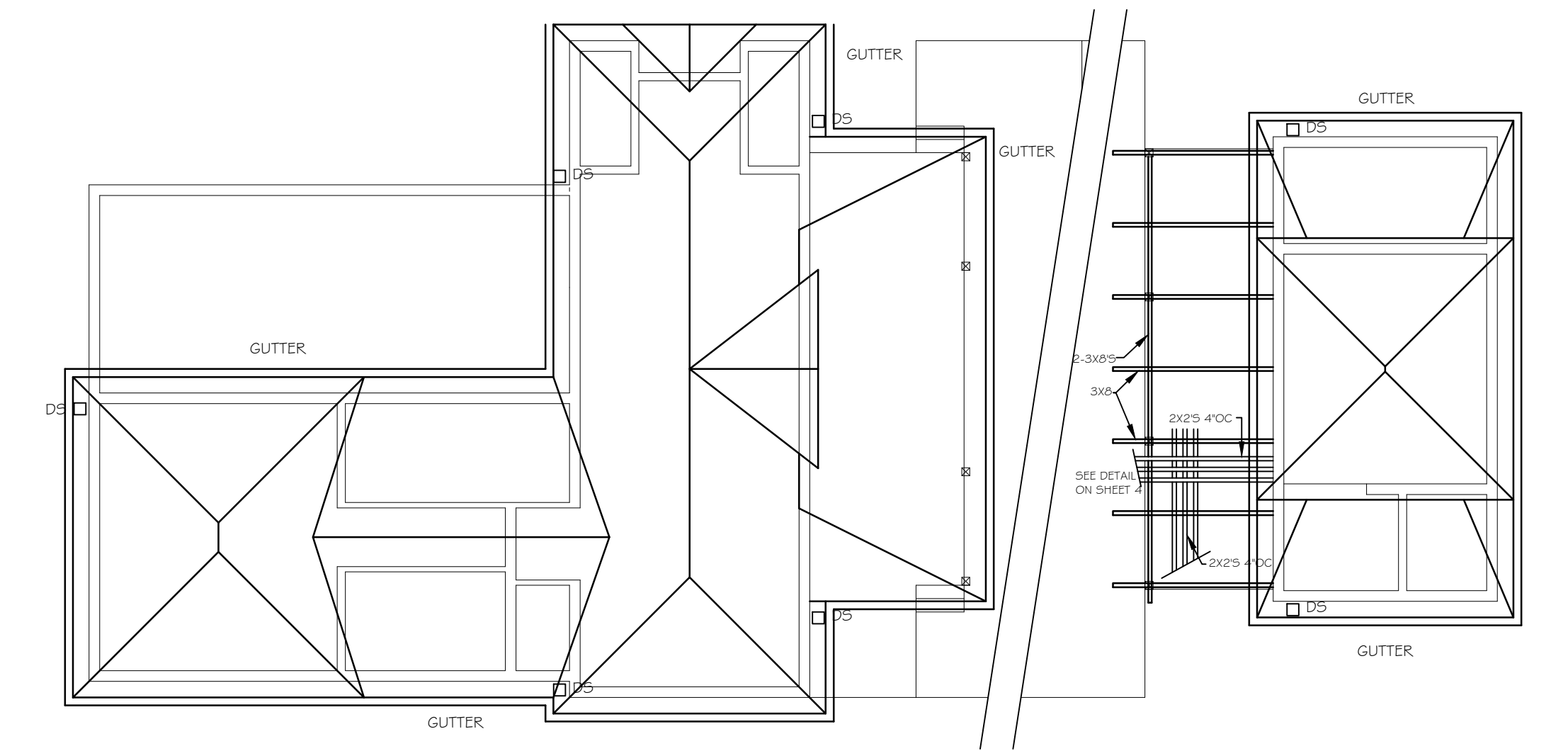
ELEVATION D
1/4" = 1'-0"



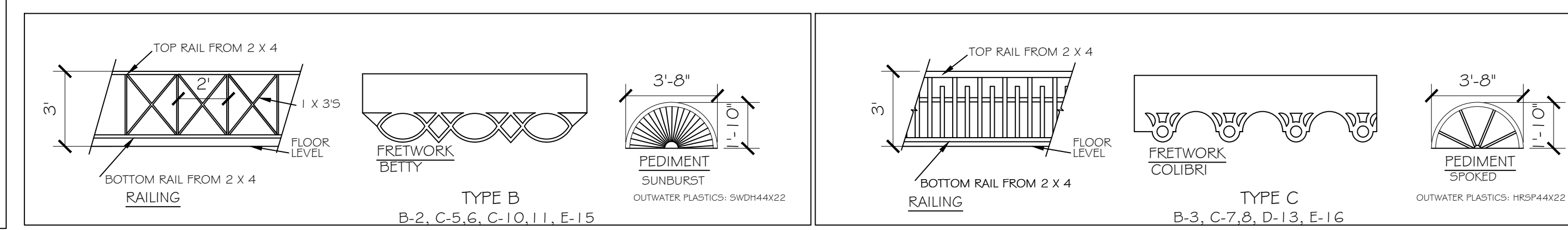
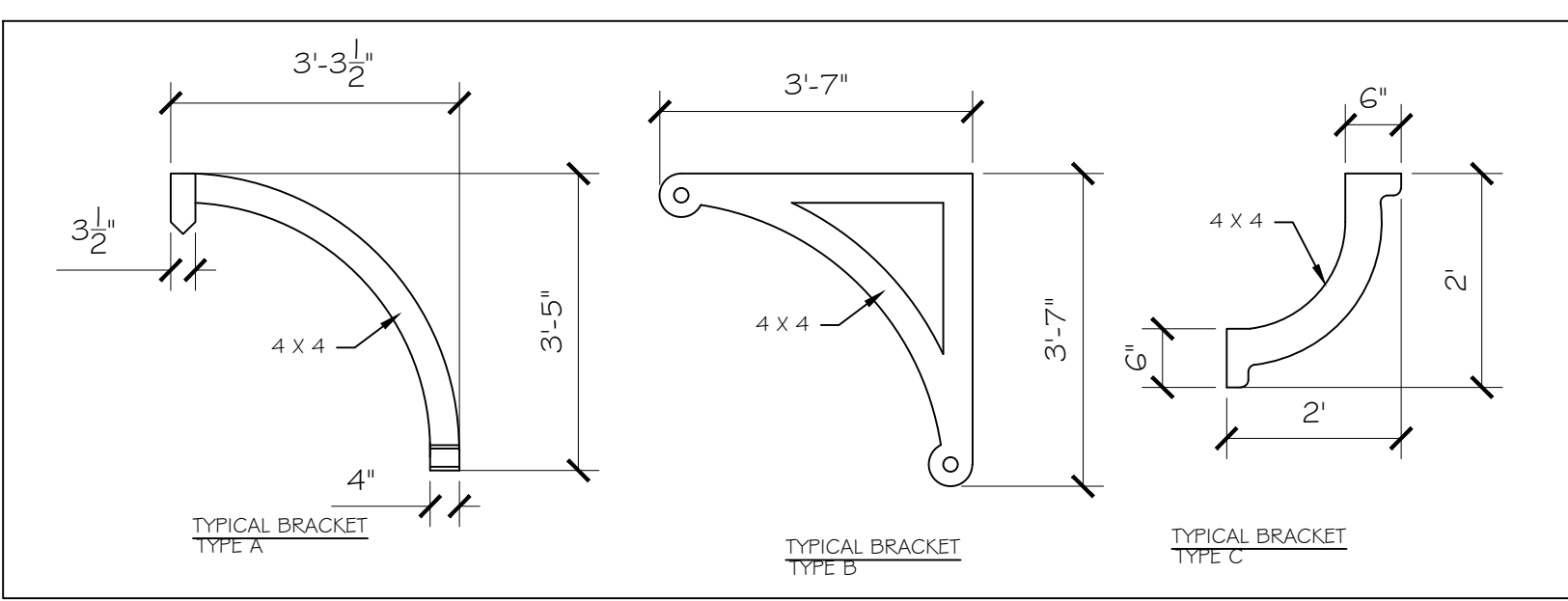
ELEVATION F
1/4" = 1'-0"



ELEVATION E
1/4" = 1'-0"



ROOF PLAN
1/8" = 1'-0"



E15